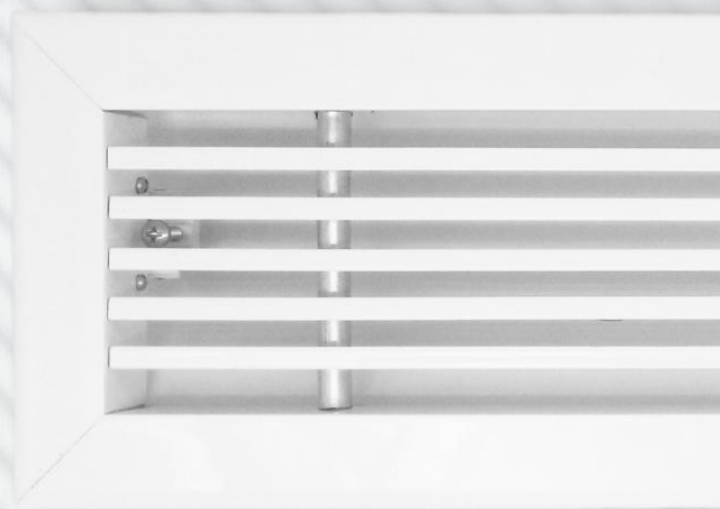




Serie L



LINEAR GRILLES WITH 25MM PERIMETRIC FRAME



(+34) 91 3235805
(+34) 91 3235703



www.difair.es

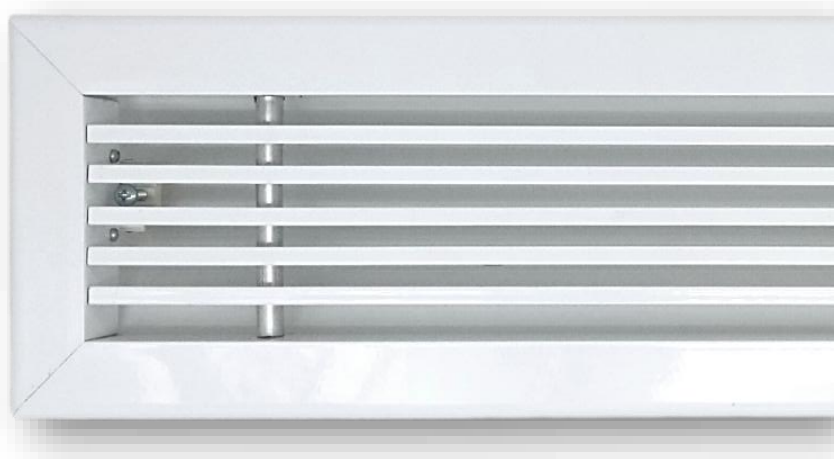


info@difair.es

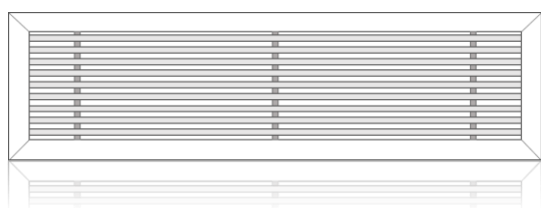


Avd. del Cno de lo Cortao, 28A, Nave 1
28703 San Sebastián de los Reyes, Madrid.

LINEAR GRILLES WITH 25mm PERIMETRIC FRAME SERIE L



MODELS



blades at 0°
inclination

L100

Linear grilles with 25mm perimetric frame, blades at 0° inclination.

L100C

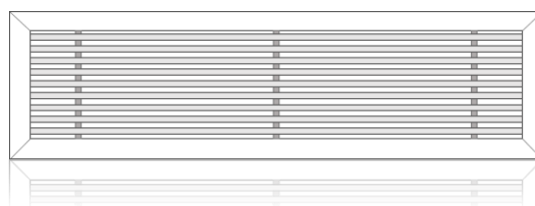
Linear grilles with 25mm perimetric frame, blades at 0° inclination, with flow regulation (damper).

L1015

Linear grilles with 25mm perimetric frame, blades at 15° inclination.

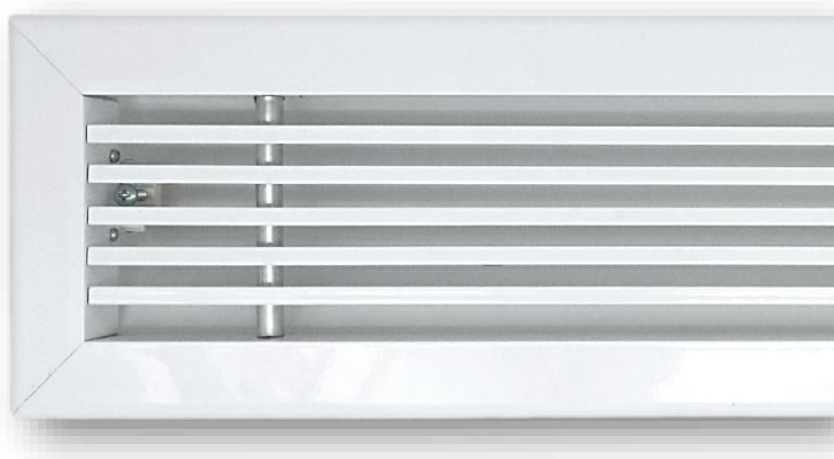
L1015C

Linear grilles with 25mm perimetric frame, blades at 15° inclination, with flow regulation (damper).

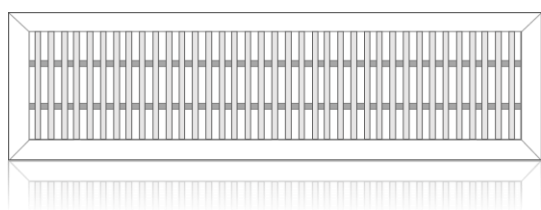


blades at 15°
inclination

LINEAR GRILLES WITH 25mm PERIMETRIC FRAME SERIE L



MODELS



L110

Linear grilles with 25mm perimetric frame, vertical blades at 0° inclination.

L110C

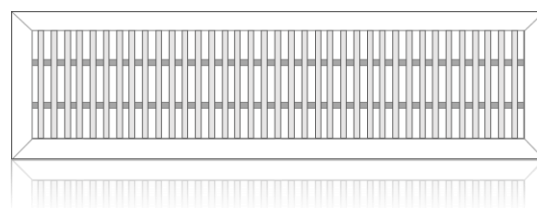
Linear grilles with 25mm perimetric frame, vertical blades at 0° inclination, with flow regulation (damper).

L1115

Linear grilles with 25mm perimetric frame, vertical blades at 15° inclination.

L1115C

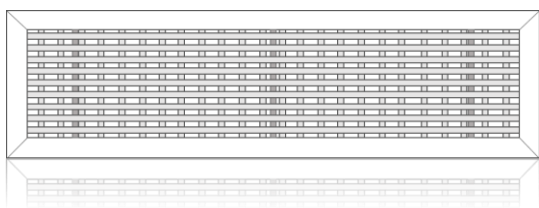
Linear grilles with 25mm perimetric frame, vertical blades at 15° inclination, with flow regulation (damper).



LINEAR GRILLES WITH 25mm PERIMETRIC FRAME SERIE L



MODELS



blades at 0°
inclination

L200

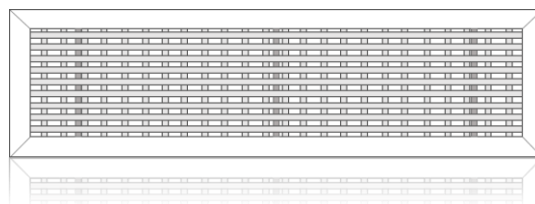
Linear grilles with 25mm perimetric frame, double deflection, 1st deflection of horizontal blades at 0° inclination and 2nd deflection of vertical movable blades.

L200C

Linear grilles with 25mm perimetric frame, double deflection, 1st deflection of horizontal blades at 0° inclination and 2nd deflection of vertical movable blades, with flow regulation (damper).

L2015

Linear grilles with 25mm perimetric frame, double deflection, 1st deflection of horizontal blades at 15° inclination and 2nd deflection of vertical movable blades.

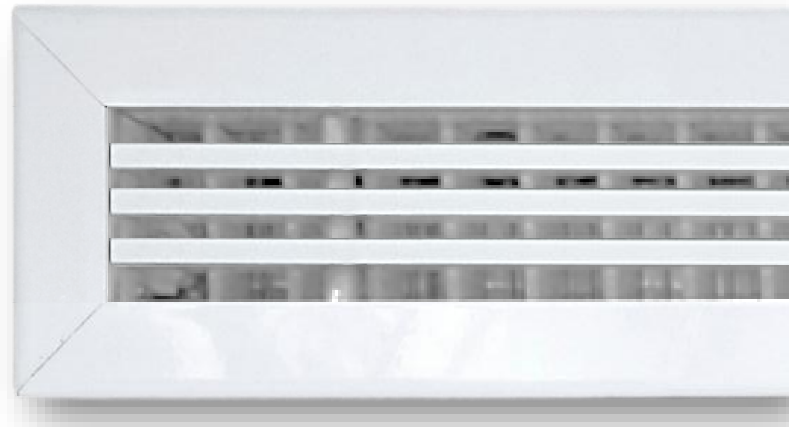


blades at 15°
inclination

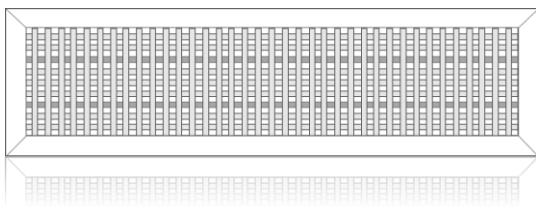
L2015C

Linear grilles with 25mm perimetric frame, double deflection, 1st deflection of horizontal blades at 15° inclination and 2nd deflection of vertical movable blades, with flow regulation (damper).

LINEAR GRILLES WITH 25mm PERIMETRIC FRAME SERIE L



MODELS



blades at 0°
inclination

L210

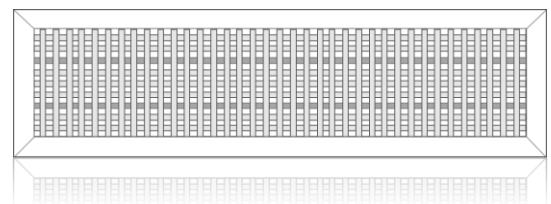
Linear grilles with 25mm perimetric frame, double deflection, 1st deflection of vertical blades at 0° inclination and 2nd deflection of horizontal movable blades.

L210C

Linear grilles with 25mm perimetric frame, double deflection, 1st deflection of vertical blades at 0° inclination and 2nd deflection of horizontal movable blades, with flow regulation (damper).

L2115

Linear grilles with 25mm perimetric frame, double deflection, 1st deflection of vertical blades at 15° inclination and 2nd deflection of horizontal movable blades.



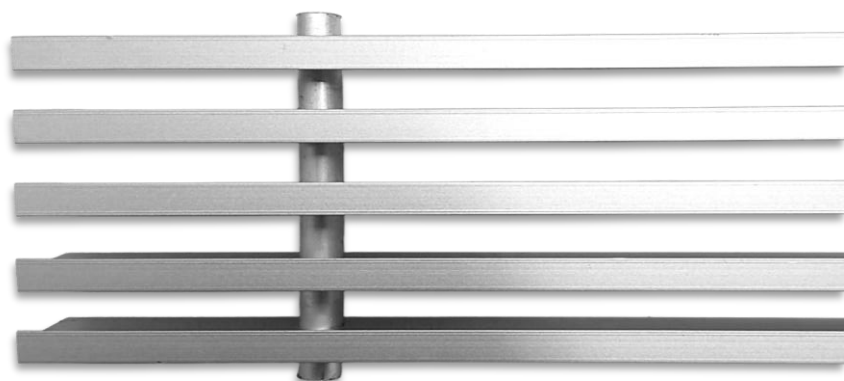
blades at 15°
inclination

L2115C

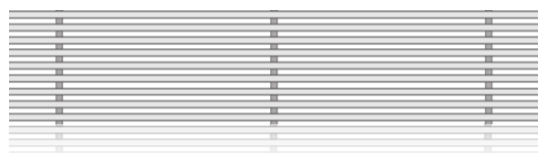
Linear grilles with 25mm perimetric frame, double deflection, 1st deflection of vertical blades at 15° inclination and 2nd deflection of horizontal movable blades, with flow regulation (damper).

LINEAR GRILLES WITH 25mm PERIMETRIC FRAME

SERIE L



MODELS



blades at 0°
inclination

CL100

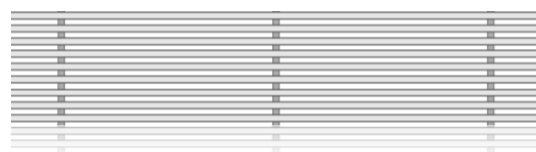
Linear grilles without 25mm perimetric frame, blades at 0° inclination.

CL100C

Linear grilles without 25mm perimetric frame, blades at 0° inclination, with flow regulation (damper).

CL1015

Linear grilles without 25mm perimetric frame, vertical blades at 15° inclination.



CL1015C

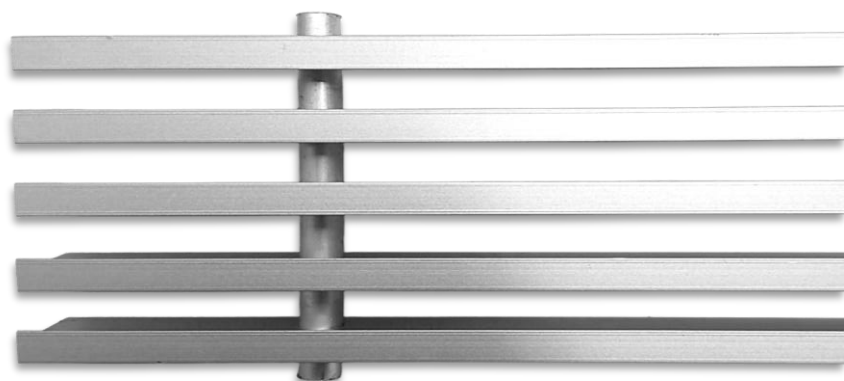
Linear grilles without 25mm perimetric frame, vertical blades at 15° inclination, with flow regulation (damper).



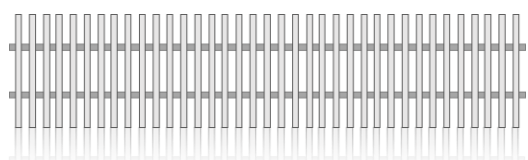
blades at 15°
inclination

LINEAR GRILLES WITH 25mm PERIMETRIC FRAME

SERIE L



MODELS



blades at 0°
inclination

CL110

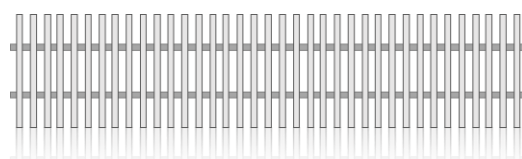
Linear grilles without 25mm perimetric frame, vertical blades at 0° inclination.

CL110C

Linear grilles without 25mm perimetric frame, vertical blades at 0° inclination, with flow regulation (damper).

CL1115

Linear grilles without 25mm perimetric frame, vertical blades at 15° inclination.



CL1115C

Linear grilles without 25mm perimetric frame, vertical blades at 15° inclination, with flow regulation (damper).

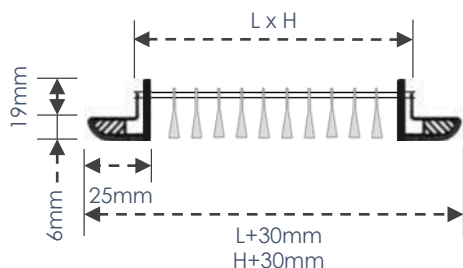


blades at 15°
inclination

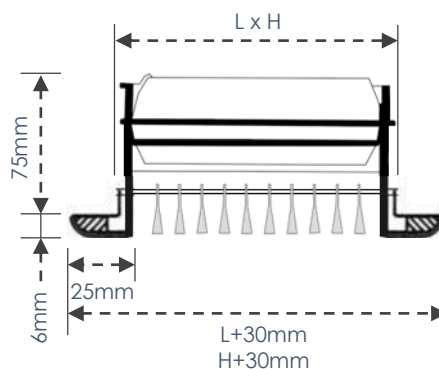
LINEAR GRILLES WITH 25mm PERIMETRIC FRAME SERIE L

MEASUREMENTS

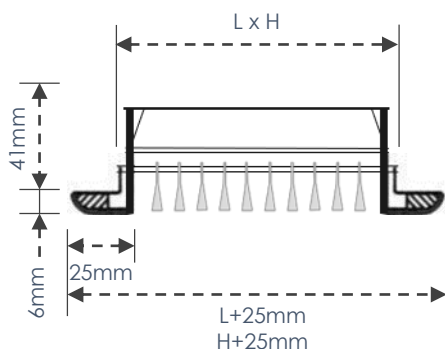
L100 - L1015



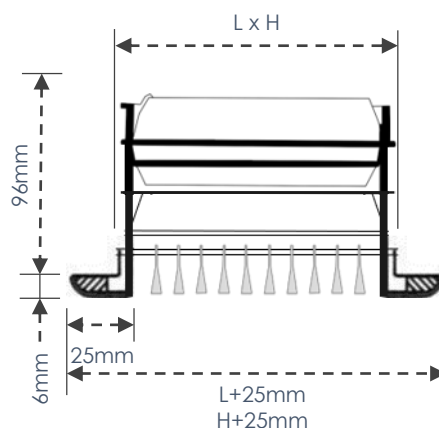
L100C - L1015C



L200 - L2015



L200C - L2015C



L x H → Nominal Dimension = Hole Dimension

L x H dimensions can be supplied in a maximum of 2,000 x 600 mm in a single module without flow regulation and 2,000 x 300 mm with flow regulation (including mounting frame). For vertical models (L110, L1115, L210, L2115, CL110 and CL1115, all without or with regulation) the minimum height is 200 mm.

ACCESSORIES

On request, the models without flow regulation (control damper) can be fitted with **anti-insect** or **anti-bird** netting and/or **filter and filter-holder** devices.

The control damper:

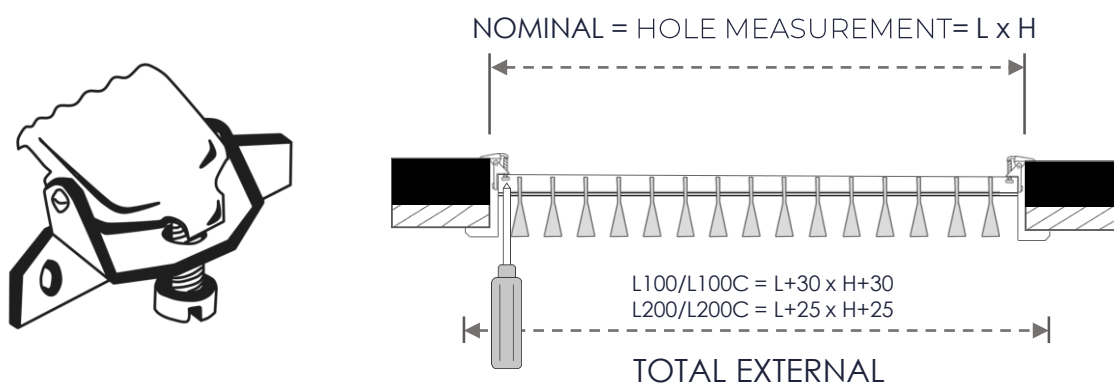
- **PINION ADJUSTMENT.** Requires a screwdriver to open or close it.
- **PLENUM BOX** (see technical data sheet **PLENUM SERIES**).

LINEAR GRILLES WITH 25mm PERIMETRIC FRAME SERIE L

FIXING SYSTEM

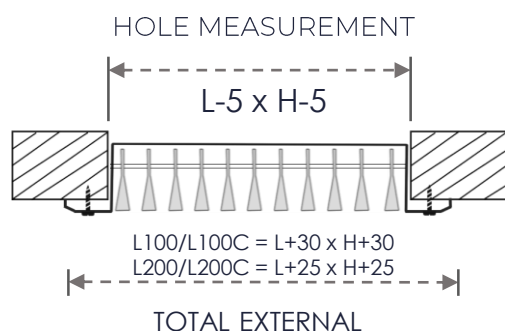
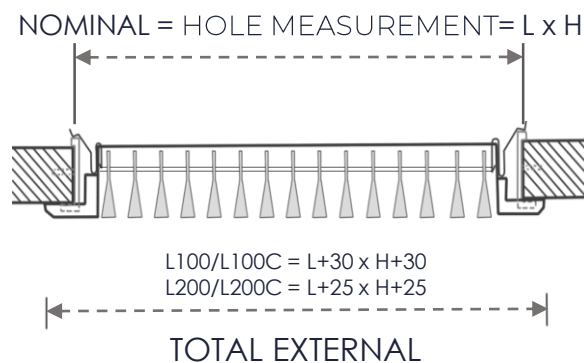
GRILLE ASSEMBLY WITH CONCEALED FIXING

This type of fixing is the standard system for this series. Using a screwdriver to drive the indicated screw, the tongue is pressed onto the mounting frame, thus holding the grille firmly in place. To remove the grille, simply loosen the screw and the steel spring returns the claw to its horizontal position.



FIXING BY MEANS OF PRESSURE CLIPS

Once the mounting frame has been received, place the grille in the resulting recess and press until the grille is attached to the wall. The pressure that the clips exert on the mounting frame prevents the grille from slipping out of the mounting frame.



SCREW FIXING

The grille is supplied with countersunk holes. Screws not included.

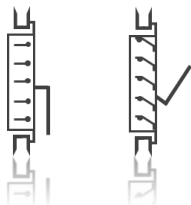
NOMINAL = L X H

LINEAR GRILLES WITH 25mm PERIMETRIC FRAME SERIE L

FLOW MEASUREMENT

By Pitot tube:

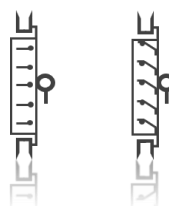
$$m^3/h = m/s \times m^2 \times 3.600$$



Measurements must be taken at several points on the grille, the arithmetic measurement of all of them allows us to determine the effective suction velocity.

By anemometer:

The entire surface of the grille must be traversed with it to obtain the suction velocity.



$$m^3/h = m/s \times m^2 \times 3.600$$

EFFECTIVE SECTION (m²)

MOD. L100-L1015-L100C-L1015C-L110-L1115-L110C-L1115C

| L \ H | 200 | 250 | 300 | 350 | 400 | 450 | 500 | 600 | 700 | 800 | 900 | 1.000 |
|-------|----------|----------|----------|----------|----------|----------|----------|----------|----------|----------|----------|----------|
| 75 | 0.005478 | 0.007148 | 0.008818 | 0.010488 | 0.012158 | 0.013560 | 0.015230 | 0.018570 | 0.021910 | 0.024983 | 0.028323 | 0.031663 |
| 100 | 0.007806 | 0.010186 | 0.012566 | 0.014946 | 0.017326 | 0.019326 | 0.021706 | 0.026466 | 0.031226 | 0.035605 | 0.040365 | 0.045125 |
| 150 | 0.012464 | 0.016264 | 0.020064 | 0.023864 | 0.027664 | 0.030856 | 0.034656 | 0.042256 | 0.049856 | 0.056848 | 0.064448 | 0.072048 |
| 200 | 0.017122 | 0.022342 | 0.027562 | 0.032782 | 0.038002 | 0.042386 | 0.047606 | 0.058046 | 0.068486 | 0.078091 | 0.088531 | 0.098971 |
| 250 | 0.021779 | 0.028419 | 0.035059 | 0.041699 | 0.048339 | 0.053917 | 0.060557 | 0.073837 | 0.087117 | 0.099334 | 0.112614 | 0.125894 |
| 300 | 0.026437 | 0.034497 | 0.042557 | 0.050617 | 0.058677 | 0.065447 | 0.073507 | 0.089627 | 0.105747 | 0.120578 | 0.136698 | 0.152818 |

MOD. L200-L2015-L200C-L2015C- L210-L2115-L210C-L2115C

| L \ H | 200 | 250 | 300 | 350 | 400 | 450 | 500 | 600 | 700 | 800 | 900 | 1.000 |
|-------|----------|----------|----------|----------|----------|----------|----------|----------|----------|----------|----------|----------|
| 75 | 0.004676 | 0.006079 | 0.007348 | 0.008751 | 0.010020 | 0.011289 | 0.012558 | 0.015230 | 0.017902 | 0.020441 | 0.023113 | 0.025785 |
| 100 | 0.006664 | 0.008663 | 0.010472 | 0.012471 | 0.014280 | 0.016089 | 0.017898 | 0.021706 | 0.025514 | 0.029131 | 0.032939 | 0.036747 |
| 150 | 0.010640 | 0.013832 | 0.016720 | 0.019912 | 0.022800 | 0.025688 | 0.028576 | 0.034656 | 0.040736 | 0.046512 | 0.052592 | 0.058672 |
| 200 | 0.014616 | 0.019001 | 0.022968 | 0.027353 | 0.031320 | 0.035287 | 0.039254 | 0.047606 | 0.055958 | 0.063893 | 0.072245 | 0.080597 |
| 250 | 0.018592 | 0.024170 | 0.029216 | 0.034794 | 0.039840 | 0.044886 | 0.049933 | 0.060557 | 0.071181 | 0.081274 | 0.091898 | 0.102522 |
| 300 | 0.022568 | 0.029338 | 0.035464 | 0.042234 | 0.048360 | 0.054486 | 0.060611 | 0.073507 | 0.086403 | 0.098654 | 0.111550 | 0.124446 |

Selection criteria for models L200-L2015-L200C-L2015C- L210-L2115-L210C-L2115C: Apply a correction factor of 1.2 to the required airflow to obtain the reference airflow to be used in the table. For example, if the required airflow is 500 m³/h, the value to consider in the table will be 600 m³/h (500 x 1.2). Based on this value, select the grille size that matches the area corresponding to the corrected airflow.

QUICK SELECTION TABLE

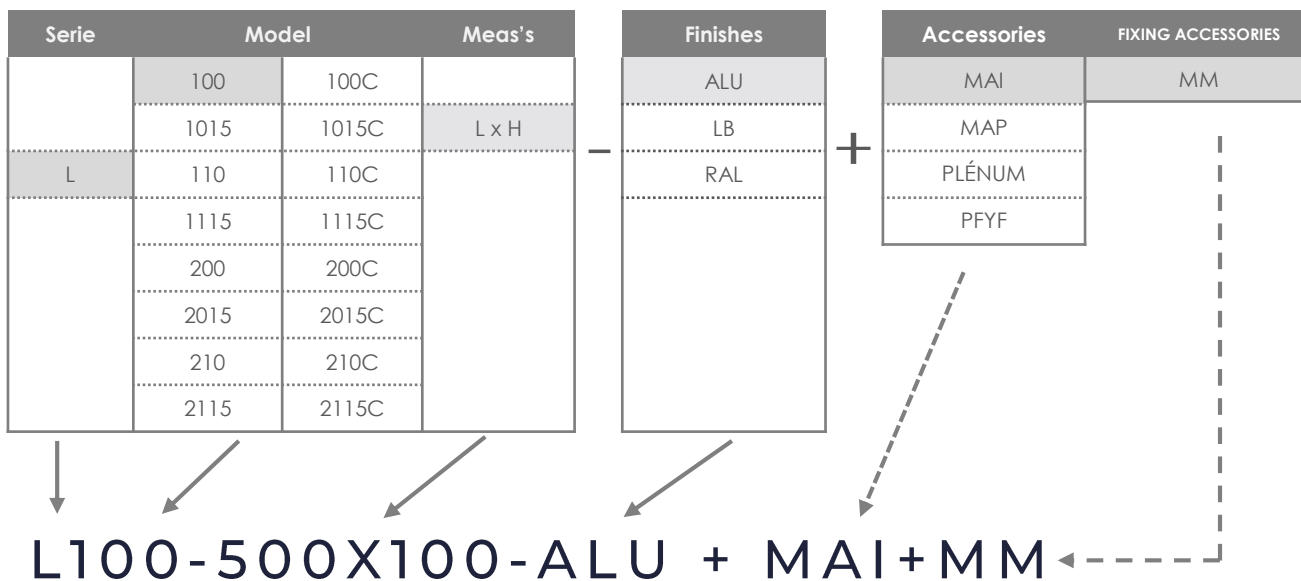
| HEIGHT | | LENGTH | | | | | | | | | | | | | | | | |
|-------------|---------------------|------------------|------------------|-------------------|-------------------|-------------------|-------------------|-------------------|-------------------|-------------------|-------------------|-------------------|-------------------|-------------------|-------------------|-------------------|-------------------|-------------------|
| 500 | | | | | | | | | | | | 600 | 800 | 950 | 1200 | | | |
| 400 | | | | | | | | | 400 | 500 | 600 | 750 | 1000 | 1200 | | | | |
| 350 | | | | | | | | 350 | 450 | 600 | 700 | 900 | 1150 | | | | | |
| 300 | | | | | | | 300 | 400 | 550 | 650 | 800 | 1000 | | | | | | |
| 250 | | | | | 250 | 300 | 400 | 500 | 650 | 800 | 950 | | | | | | | |
| 200 | | | | 200 | 250 | 300 | 400 | 500 | 600 | 800 | 1000 | 1200 | | | | | | |
| 150 | | 150 | 200 | 300 | 350 | 450 | 550 | 650 | 800 | 1000 | | | | | | | | |
| 100 | | 100 | 200 | 300 | 400 | 500 | 600 | 800 | 1000 | 1200 | | | | | | | | |
| m³/h | | | | | | | | | | | | | | | | | | |
| 100 | Alc dB(A) Δ P | 2,2 6 0,7 | 1,8 3 0,1 | | | | | | | | | | | | | | | |
| 200 | Alc dB(A) Δ P | 4,2 23 2,2 | 3,5 17 0,9 | 3,1 15 0,5 | | | | | | | | | | | | | | |
| 300 | Alc dB(A) Δ P | 6,5 33 6,5 | 5,2 26 1,7 | 4,7 21 1,2 | 4,0 17 0,7 | 3,5 15 0,4 | | | | | | | | | | | | |
| 400 | Alc dB(A) Δ P | | 7,5 35 3,3 | 6,0 30 1,9 | 5,5 25 1,0 | 4,7 20 0,9 | 4,2 15 0,4 | | | | | | | | | | | |
| 500 | Alc dB(A) Δ P | | 8,5 38 5,3 | 7,8 33 3,3 | 6,7 29 1,7 | 6,3 25 1,2 | 5,5 22 0,7 | 4,5 14 0,3 | | | | | | | | | | |
| 600 | Alc dB(A) Δ P | | | 9,5 41 4,4 | 8,3 34 2,1 | 7,5 29 1,8 | 6,2 26 1,0 | 5,7 20 0,7 | 5,1 15 0,4 | | | | | | | | | |
| 700 | Alc dB(A) Δ P | | | 10,3 45 5,5 | 9,8 42 4,4 | 9,5 38 3,2 | 7,5 30 1,2 | 6,5 24 0,7 | 6,2 20 0,6 | | | | | | | | | |
| 800 | Alc dB(A) Δ P | | | | 10,2 42 3,9 | 9,7 37 2,9 | 8,5 35 1,8 | 8,0 27 1,0 | 7,0 23 0,9 | | | | | | | | | |
| 900 | Alc dB(A) Δ P | | | | | 11,9 45 5,0 | 10,5 40 3,7 | 9,5 36 1,9 | 8,5 30 1,2 | 8,0 26 1,0 | 7,2 22 0,7 | | | | | | | |
| 1.000 | Alc dB(A) Δ P | | | | | 13,3 47 5,7 | 12,5 43 4,5 | 10,2 39 2,5 | 9,5 33 1,7 | 9,0 28 1,2 | 8,3 23 0,7 | 7,6 19 0,7 | | | | | | |
| 1.200 | Alc dB(A) Δ P | | | | | | 13,8 50 5,8 | 12,9 44 3,9 | 11,0 37 2,1 | 10,2 34 1,7 | 9,0 28 0,9 | 8,2 25 0,6 | 7,6 21 0,3 | | | | | |
| 1.400 | Alc dB(A) Δ P | | | | | | | 14,5 48 5,3 | 13,3 42 3,3 | 12,4 37 2,1 | 10,2 33 1,3 | 9,4 28 0,7 | 8,6 23 0,5 | 7,9 18 0,3 | | | | |
| 1.600 | Alc dB(A) Δ P | | | | | | | | 15,2 45 4,2 | 14,2 40 2,9 | 11,8 35 1,8 | 10,3 30 0,9 | 9,4 25 0,7 | 8,6 21 0,4 | | | | |
| 1.800 | Alc dB(A) Δ P | | | | | | | | 17,0 47 5,2 | 15,7 43 3,4 | 13,4 39 2,1 | 11,2 32 1,2 | 11,0 28 1,0 | 9,7 22 0,4 | 7,9 18 0,2 | | | |
| 2.000 | Alc dB(A) Δ P | | | | | | | | | 18,2 52 4,4 | 15,3 45 2,8 | 13,4 37 1,5 | 12,6 34 1,2 | 10,6 27 0,7 | 9,7 22 0,4 | | | |
| 2.200 | Alc dB(A) Δ P | | | | | | | | | 19,5 49 5,2 | 16,5 45 3,3 | 14,2 35 1,7 | 13,4 33 1,5 | 11,9 28 0,9 | 10,1 24 0,5 | | | |
| 2.400 | Alc dB(A) Δ P | | | | | | | | | | 19,1 47 3,7 | 16,5 37 1,9 | 15,1 34 1,7 | 13,1 29 1,2 | 11,4 26 0,7 | 9,7 22 0,4 | | |
| 2.600 | Alc dB(A) Δ P | | | | | | | | | | 21,3 49 4,4 | 18,2 39 2,1 | 16,6 35 1,9 | 14,1 31 1,2 | 12,5 29 0,9 | 10,8 25 0,5 | 8,7 21 0,2 | |
| 2.800 | Alc dB(A) Δ P | | | | | | | | | | 22,1 50 5,0 | 20,6 41 2,8 | 18,2 37 2,1 | 15,9 33 1,7 | 13,2 30 0,9 | 11,8 26 0,5 | 9,9 22 0,2 | |
| 3.000 | Alc dB(A) Δ P | | | | | | | | | | | 21,4 43 3,1 | 19,0 39 2,5 | 17,3 35 1,8 | 14,1 32 1,0 | 12,3 26 0,7 | 10,5 22 0,3 | |
| 3.500 | Alc dB(A) Δ P | | | | | | | | | | | | 25,2 47 3,9 | 22,2 44 3,4 | 19,7 39 2,3 | 17,3 36 1,5 | 15,6 31 1,1 | 13,3 27 0,7 |

Alc = For a residual velocity of 0.5 m/s.
 dB(A) = Noise level of open blades without flow regulation.
 Δ P = Static pressure drop mm c.a.

| CORRECTION FACTORS | | |
|---------------------|-----|-----|
| Angle of divergence | 45° | 90° |
| Δ P = Tablas x | 1,1 | 1,5 |
| dB(A) = Tablas + | 2 | 3 |
| Alc = Tablas x | 0,7 | 0,5 |

LINEAR GRILLES WITH 25mm PERIMETRIC FRAME SERIE L

GRAPHIC DESCRIPTION



SERIE

- L: Linear grille with 25mm perimetric frame.

MODEL

- L100: Linear blades with 25mm perimetric frame, blades at 0° inclination.

MEASUREMENTS (mm)

- LxH: 500 x 100 mm.

FINISHES

- Alu: Anodized aluminium.

ACCESSORIES (optional)

- MAI: Anti-insects netting 500 x 100 mm.

FIXING ACCESSORIES (optional)

- MM: Mounting Frame 500 x 100 mm.

Order example: L100C 500x100 ALU + MAI+MM

- To order linear grille with 25mm perimetric frame, blades at 0° inclination, 500x100 mm, made in anodized aluminium, with flow regulation (damper), anti-insects netting and mounting frame, you should request:

| Order | Description |
|---|---|
| 1 Grille L100C 500x100 - anodized aluminium | Linear grille with 25mm perimetric frame, blades at 0° inclination 500x100 mm, made in anodized aluminium, with flow regulation (damper). |
| 1 Net MAI 500x100 | Anti-insects netting: 500x100 mm. |
| 1 Mounting frame MM 500x100 | Mounting frame: 500x100 mm. |

Order example: L1015 500x100 LB + MAP+MM

- To order linear grille with 25mm perimetric frame, blades at 15° inclination, 500x100 mm, white lacquered, with anti-birds netting and mounting frame, you should request:

| Order | Description |
|--|---|
| 1 Grille L1015 500x100 - white lacquered | Linear grille with 25mm perimetric frame, blades at 15° inclination, 500x100 mm, white lacquered. |
| 1 Net MAP 500x100 | Anti-bird netting: 500x100 mm. |
| 1 Mounting frame MM 500x100 | Mounting frame: 500x100 mm. |

Note:

- In the case of grilles with flow regulation, they may not be fitted with MAI, MAP or PFYF.



Any element of this document may be subject to change without notice from Manufacturas Difair-Clima, S.L. CONTAINS INTELLECTUAL PROPERTY. Any partial or total reproduction of the contents without the express authorization of Manufacturas DIFAIR-CLIMA, S.L. is prohibited. The information contained in this document is based on careful testing and experience. It reflects our knowledge and is for guidance purposes only. It is provided in good faith and the user should satisfy himself that the product is fit for use prior to any application. The values quoted are averages and should not be taken as maximum or minimum values for specific purposes. The manufacturer and distributor are not responsible for any non-recommended use or consequential damage.

THE INFORMATION PROVIDED IN THIS DOCUMENT SUPERSEDES ALL PREVIOUS VERSIONS OF THIS DOCUMENT.



(+34) 91 3235805
(+34) 91 3235703



www.difair.es



info@difair.es



Manufacturas Difair-Clima, S.L.
Avd. del Cno de lo Cortao, 28A, Nave 1
28703 San Sebastián de los Reyes, Madrid.